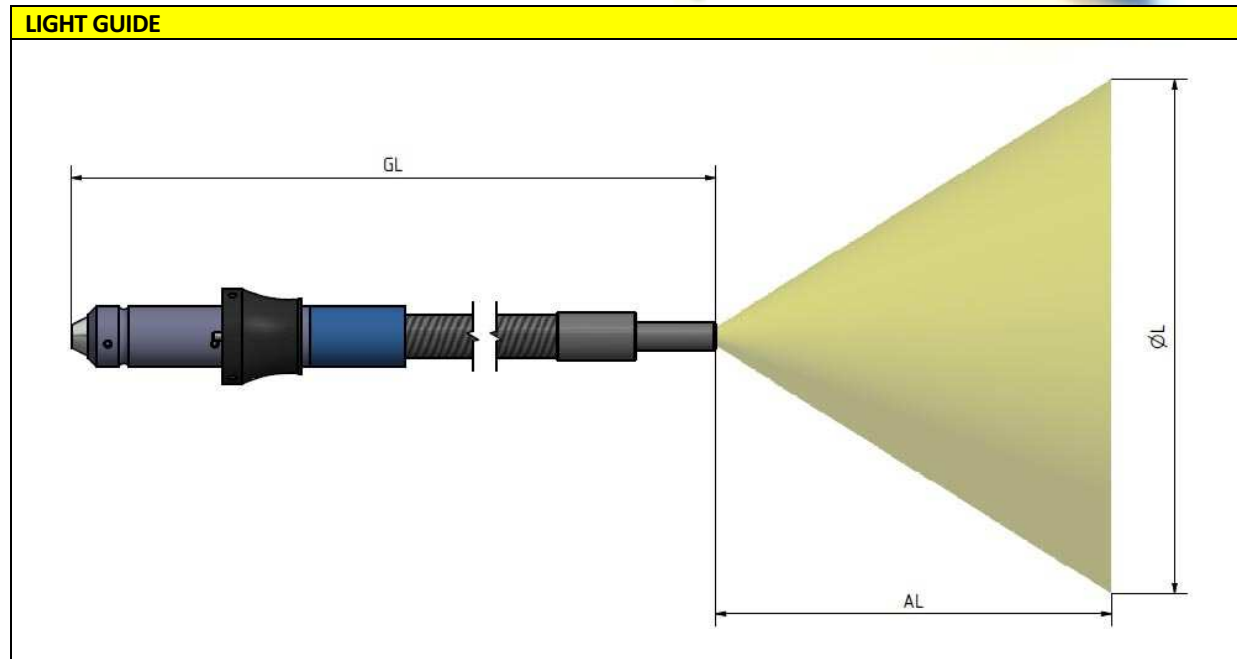


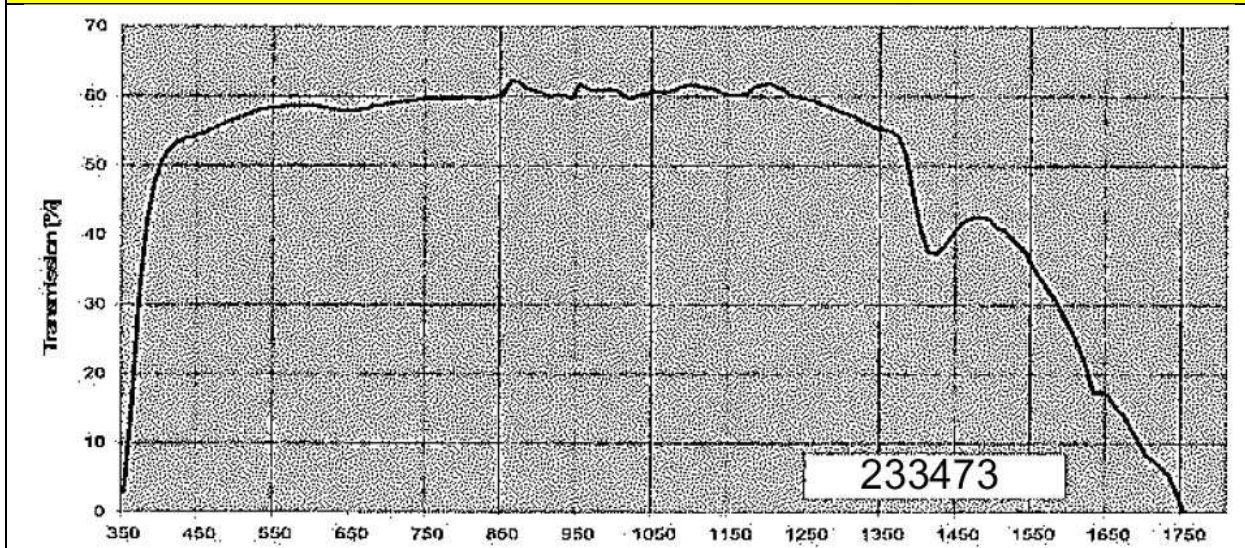
LIGHT GUIDE 1-CABLE

FOR KLQ750 LED LIGHT SOURCE

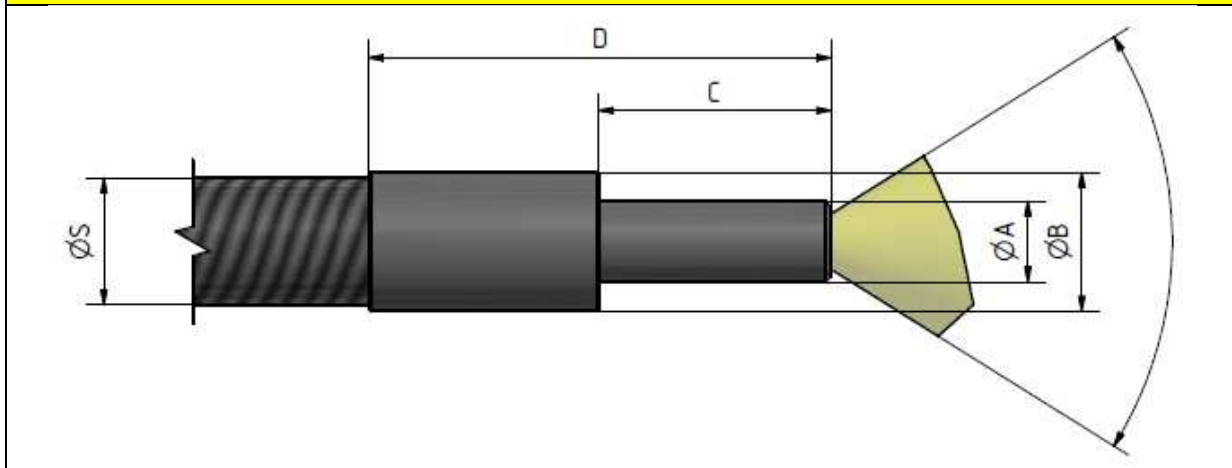


TECHNICAL DATA LIGHT GUIDE	
Number of arms	1-cable
Total length	GL, 100cm
Light inlet adapter type	KLQ750
adapter type material	Aluminium, black anodized
Light emission active Ø	ØA, 4.8mm
Light output propagation	AL, 100mm
	ØL, 130mm
Fibre type	Si, Silicate glass fibre, index step
Light emission angle	65°
Fibre numerical aperture	0.54
Fibre damping losses	200dB/Km, 4.5%/m, at 820nm
Hose / sheath	Aluminium with plastic covering
Hose / sheath colour	Black
Temperature resistance	<90°C
Storage Temperature Range	Temp 0-35°C, Humidity 20-85%
Operating conditions	temperature: -10° to +37° C relative air humidity: 5 - 90%

FIBRE SPECTRUM



END SLEEVE



TECHNICAL DATA END SLEEVE

Order Number	233475	234618
Material	V2A, 1.4305	V2A, 1.4305
ØS Hose / sheath diameter	11mm	11mm
ØA	7.0mm	7.0mm
ØB	12.0mm	10.0mm
C	20.0mm	20.0mm
D	40.0mm	80.0mm

TYPE SPECIFICATION

Order Number	Type	Specification
233475	LQ750LL light guide 1-cable	4.8 LL KLQ750 MP ES 0100 G
234618	LQ750LL light guide 1-cable	4.8 LL KLQ750 MP ES 0100 G
on request		Other lengthen, hoses, sleeves

! We reserve the right to modify technical data/specifications of the product described at any time without previous notification.

Technical data sheet

During compilation the manual we worked with the greatest precision and care. Though there may arise deviations as a result of later product modifications. Please contact us, if you need more information or detailed specifications .

Manufacturer

Faseroptik Henning GmbH
Neumarkter Straße 29
90584 Allersberg
Fon 0049 (0)9176 58-0
Fax 0049 (0)9176 58-70
kontakt@faseroptik-henning.de
www.faseroptik-henning.de